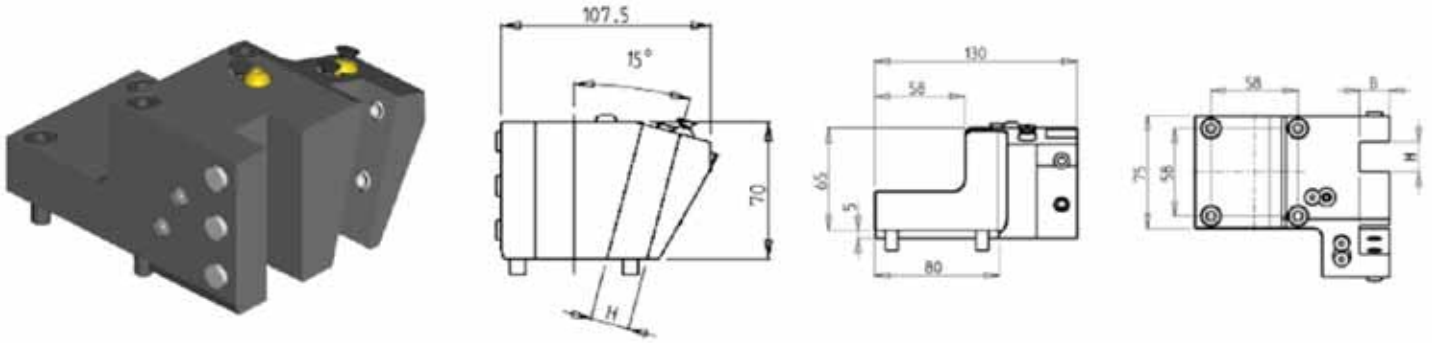


BMT45

STATIC

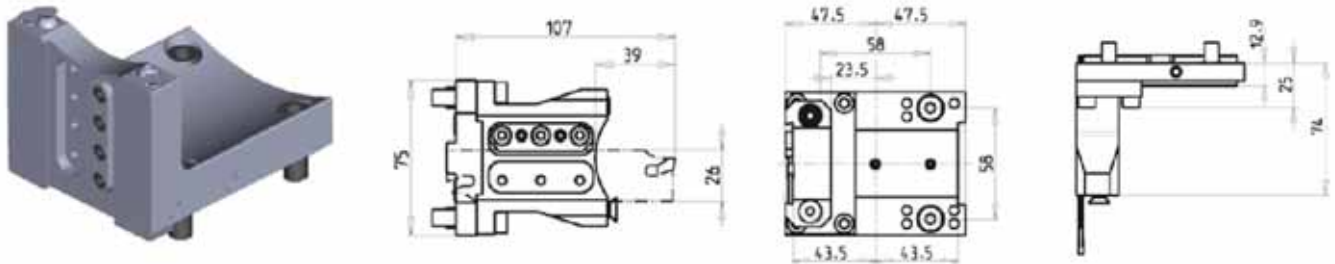
RADIAL MULTIPLE STATIC TOOL



Part Number	Description	# of Tools	Dimensions	H	B
DWO 0531905	Radial Multiple Static Tool 3/4" x 3/4"	2	Inch	3/4"	3/4"
DWO 0532000	Radial Multiple Static Tool 20mm x 20mm	2	mm	20	20

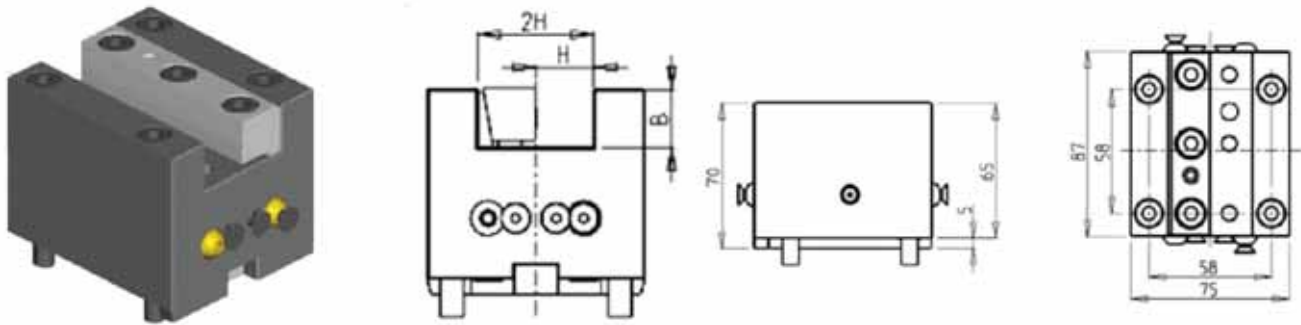
***This tool is designed specifically for LYNX220M/LM**

RADIAL BLADE HOLDER WITH BLADE KIT



Part Number	Description	# of Tools	Reversible	Ext. Cool
DWO 1570126	Radial Blade Holder with Blade Kit	1	X	X
BLADEKIT	Blade Kit: 1 Blade, 10 Inserts			

AXIAL STATIC TOOL

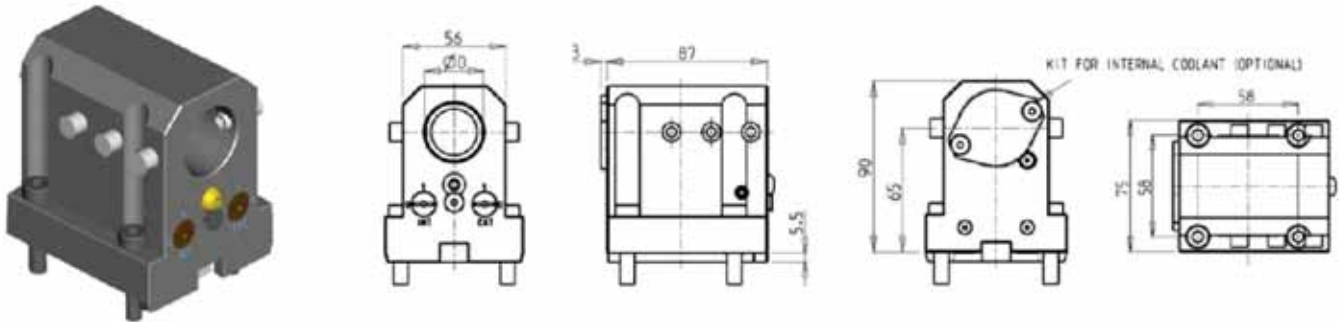


Part Number	Description	Reversible	Dimensions	B	H
DWO 0281905	Axial Single Static Tool 3/4" x 3/4"	X	Inch	3/4"	3/4"
DWO 0282000	Axial Single Static Tool 20mm x 20mm	X	mm	20	20

BMT45

STATIC

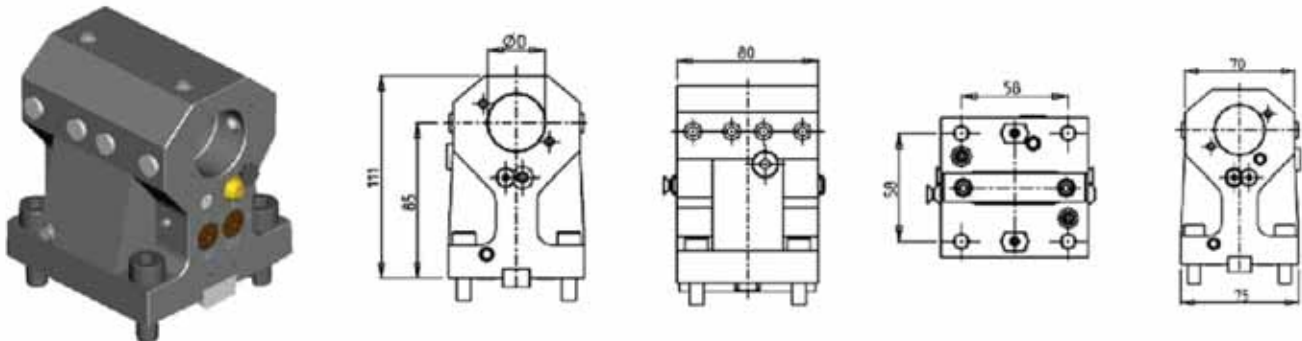
AXIAL SINGLE BORING BAR HOLDER H=65mm



Part Number	Description	# of Tools	Reversible	Cool Thru	Ext. Cool	Dimensions	D
DWO 0293175	Axial Single BBH: 1-1/4" H=65mm	1	X	X	X	Inch	1 1/4"
DWO 0293200	Axial Single BBH: 32mm H=65mm	1	X	X	X	mm	32
KIT 1000001	Plug for 32mm or 1 1/4" BBH to Make Cool Thru						

***This tool is designed specifically for LYNX220M/LM/LMS**

AXIAL SINGLE BORING BAR HOLDER H=85mm

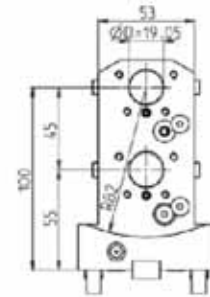
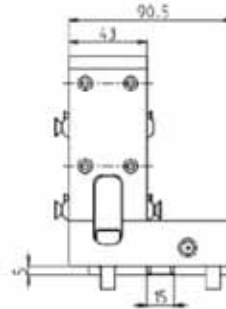
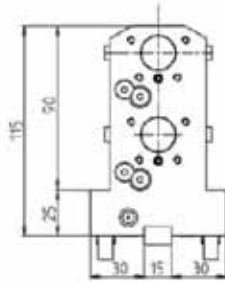


Part Number	Description	Reversible	Cool Thru	Ext Cool	Dimensions	D
DWO 2273175	Axial Single BBH 1-1/4" H=85mm	X	X	X	Inch	1-1/4"
DWO 2273200	Axial Single BBH 32mm H=85mm	X	X	X	mm	32
KIT 1000001	Plug for 32mm or 1-1/4" BBH to Make Cool Thru					

BMT45

STATIC

AXIAL 2 + 2 POSITION BORING BAR HOLDER REAR SET



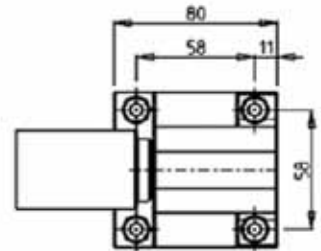
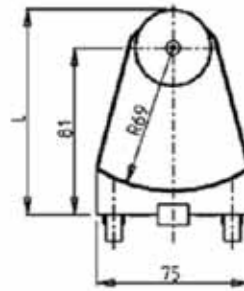
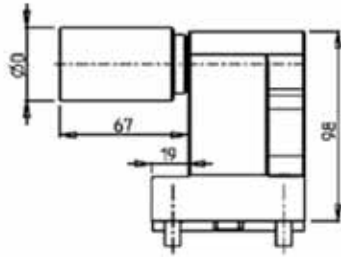
Part Number	Description	# of Tools	Reversible	Cool Thru	Ext. Cool	Dimensions	D
DWO 1491905	Axial 2 + 2 Position Rear Set Boring Bar Holder	2	X	X	X	Inch	3/4"
DWO 1492000	Axial 2 + 2 Position Rear Set Boring Bar Holder	2	X	X	X	mm	20
KIT 1000028	Plug for 20mm or 3/4" BBH to Make Cool Thru						

***This tool is designed specifically for LYNX220LMS/LY/LSY**

BMT45

STATIC

TAILSTOCK FOR SUBSPINDLE



Part Number	Description	# of Tools	Reversible	D	L
DWO 1900100L	Tailstock for Subspindle 2"	1	X	2"	106.4
DWO 1900100	Tailstock for Subspindle 38mm	1	X	38	100