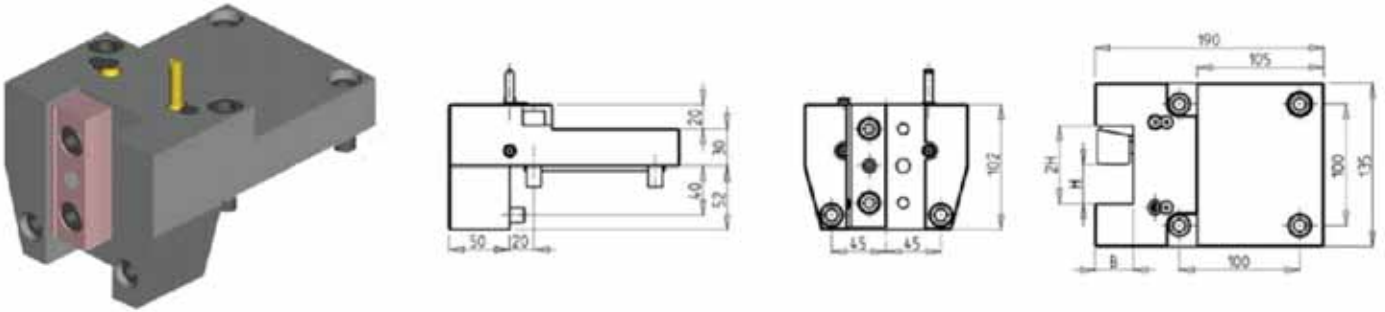


BMT85

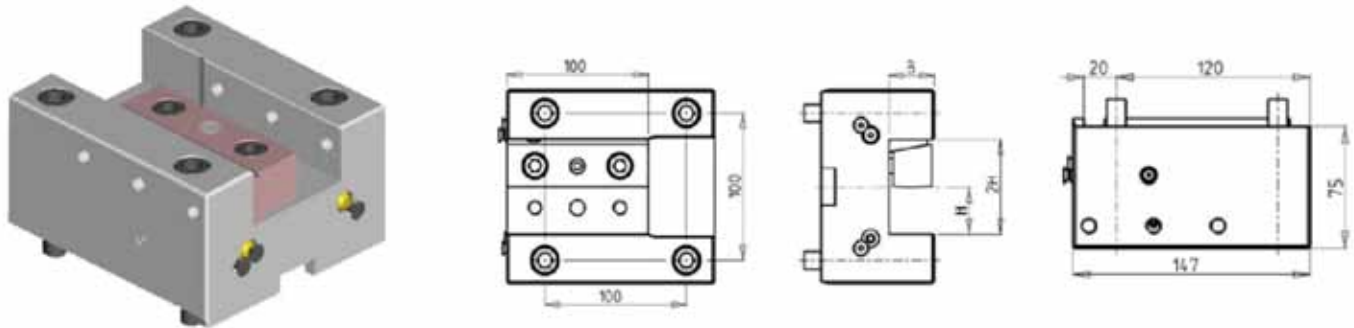
STATIC

RADIAL STATIC TOOL



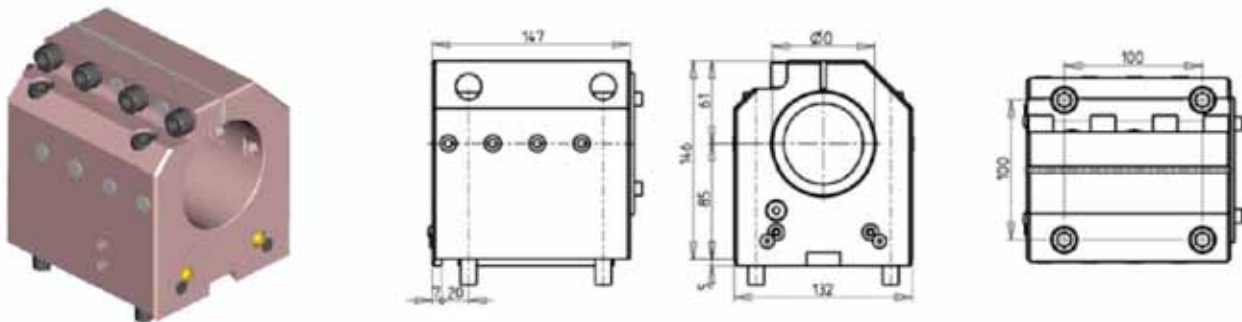
Part Number	Description	# of Tools	Dimensions	B	H
DWO 0323175	Radial Static Tool 1 1/4" x 1 1/4"	1	Inch	1 1/4"	1 1/4"
DWO 0323200	Radial Static Tool 32mm x 32mm	1	mm	32	32

AXIAL STATIC TOOL



Part Number	Description	# of Tools	Reversible	Dimensions	B	H
DWO 0333175	Axial Static Tool 1 1/4" x 1 1/4"	1/2	X	Inch	1 1/4"	1 1/4"
DWO 0333200	Axial Static Tool 32mm x 32mm	1/2	X	mm	32	32

AXIAL SINGLE BORING BAR HOLDER



Part Number	Description	# of Tools	Reversible	Cool Thru	Ext. Cool	Dimensions	D
DWO 0347620	Axial Single BBH: 3"	1	X	X	X	Inch	3"
DWO 0348000	Axial Single BBH: 80mm	1	X	X	X	mm	80
KIT 1002014	Plug & Seal Kit for 3" BBH to Make Cool Thru						
KIT 1002013	Plug & Seal Kit for 80mm BBH to Make Cool Thru						