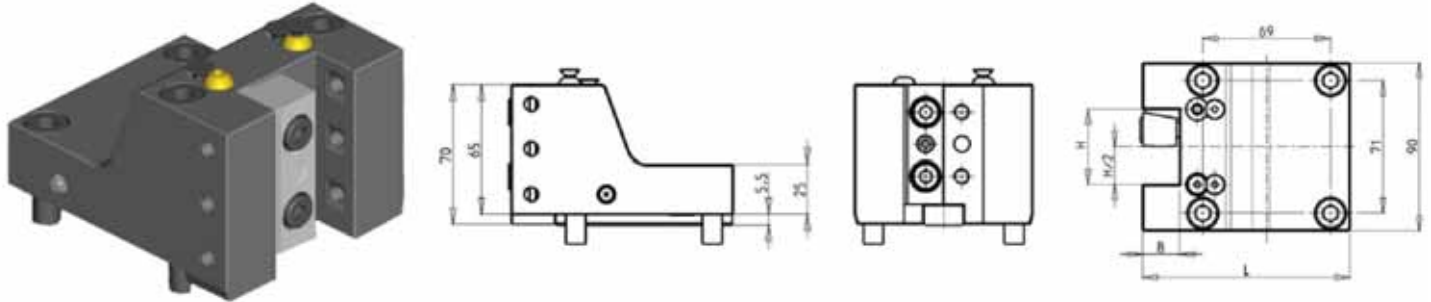


STATIC TOOLING
For
GANESH

CYCLONE-52 TTM / CYCLONE-52 3TM / CYCLONE-70 TTM / CYCLONE-70 3TM

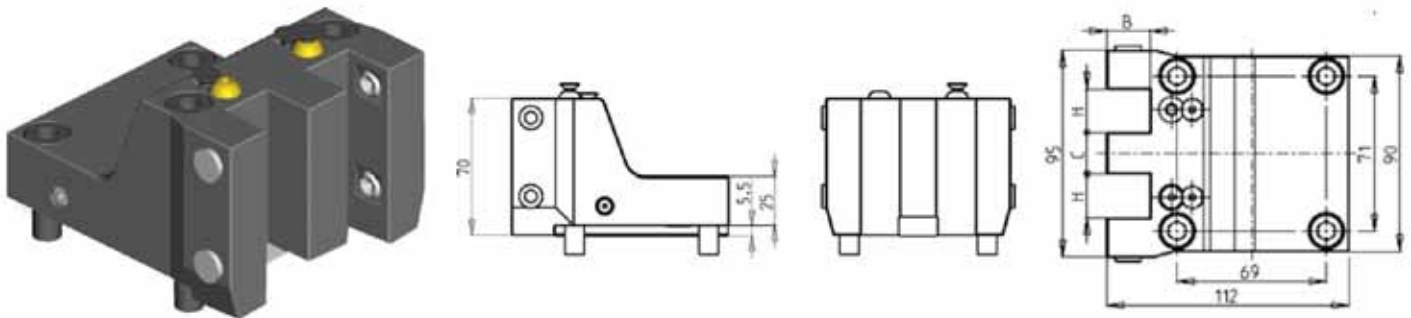
STATIC

RADIAL STATIC TOOL



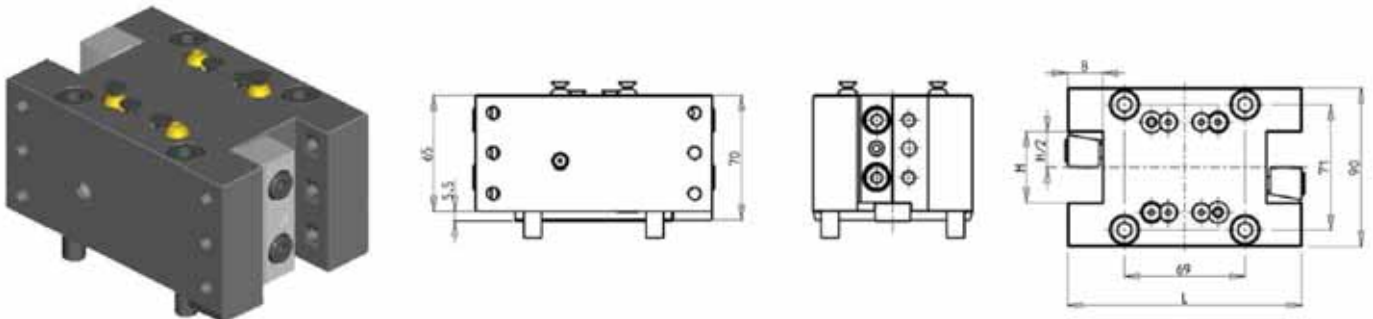
PartNumber	Description	No. of Tools	Reversible	L	B	H
NKM0412000	Radial Single Static Tool 20x40 mm	1/2	X	112	20	20
NKM0412500	Radial Single Static Tool 25x50 mm	1/2	X	117	25	25

RADIAL SINGLE SIDE TWIN STATIC TOOL



PartNumber	Description	No. of Tools	Reversible	Dimension	B	H	C
NKM0361905	Radial Single Side Twin Static Tool 3/4"x3/4" H 70 mm	2	X	Inch	3/4"	34"	19mm
NKM0362000	Radial Single Side Twin Static Tool 20x20 H 70 mm	2	X	mm	20	20	19

DOUBLE RADIAL STATIC TOOL

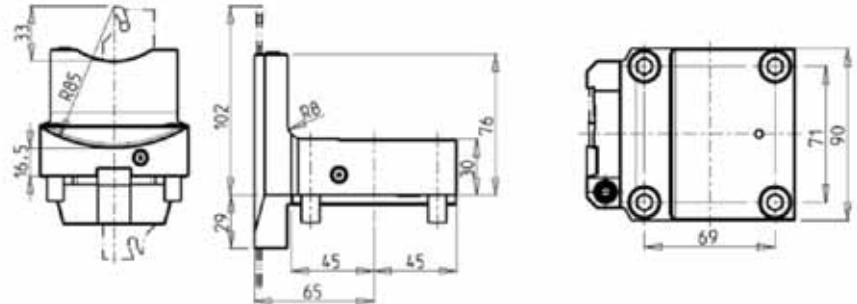


PartNumber	Description	Reversible	L	B	H
NKM0422000	Radial Double Static Tool 20x40 mm	X	134	20	20
NKM0422500	Radial Double Static Tool 25x50 mm	X	144	25	25

CYCLONE-52 TTM / CYCLONE-52 3TM / CYCLONE-70 TTM / CYCLONE-70 3TM

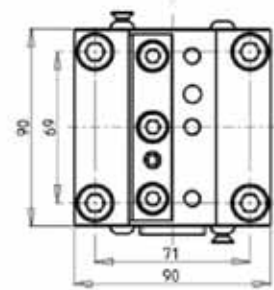
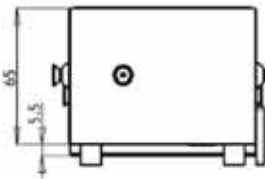
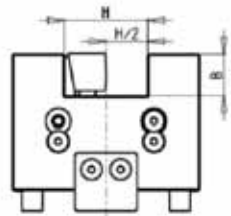
STATIC

RADIAL BLADE HOLDER



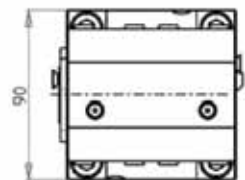
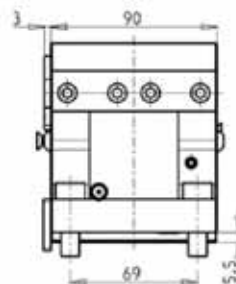
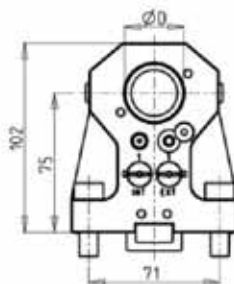
PartNumber	Description	No. of Tools	Reversible
NKM0400132	Blade Kit: 1 blade and 10 inserts	1	X
BLADEKIT	Radial Blade Holder with Blade		

AXIAL SINGLE STATIC TOOL



PartNumber	Description	Reversible	Dimension	B	H
NKM0432000	Axial Single Static Tool 20x40 mm	X	mm	20	20
NKM0432500	Axial Single Static Tool 20x50 mm	X	mm	25	25

AXIAL BORING BAR HOLDER Ø32 / Ø40 H=75mm

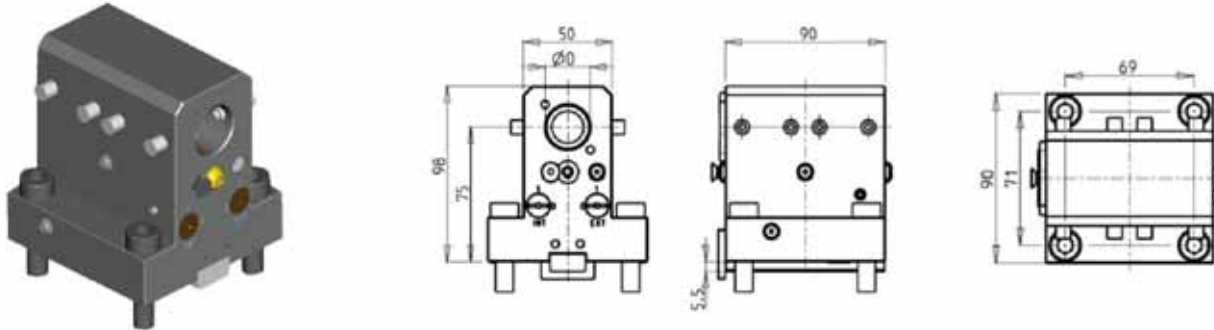


PartNumber	Description	Sequence	No. of Tools	Reversible	Cool Thru	Ext. Cool	D
NKM0303200	Axial BBH 32mm H=75	1	1	X	X	X	32
NKM0304000	Axial BBH 40mm H=75	2	1	X	X	X	40
KIT1000001	Plug to Make BBH Cool Thru Ø32 - 1 1/4"	3					
KIT1000018	Plug to Make BBH Cool Thru Ø40	4					

CYCLONE-52 TTM / CYCLONE-52 3TM / CYCLONE-70 TTM / CYCLONE-70 3TM

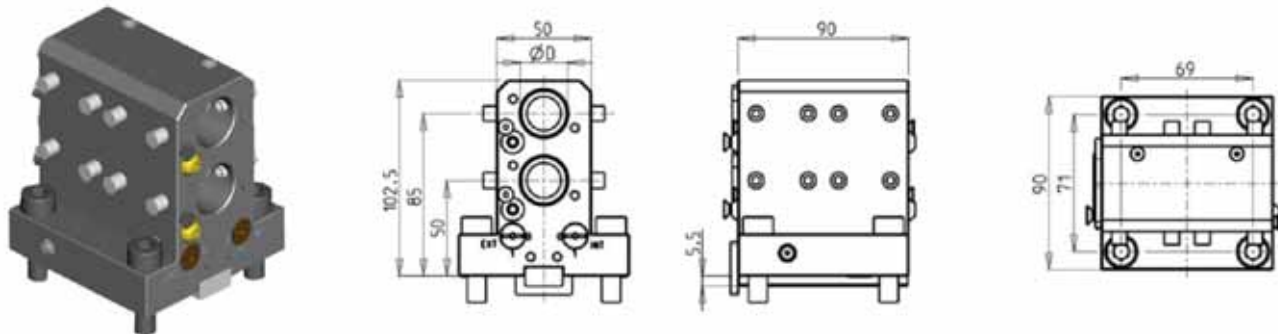
STATIC

AXIAL BORING BAR HOLDER Ø25 / Ø1" H=75mm



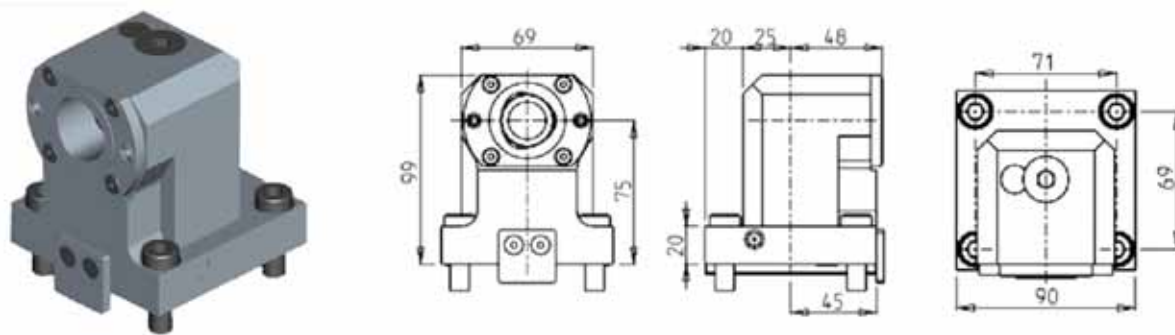
PartNumber	Description	No. of Tools	Reversible	Cool Thru	Ext. Cool	Dimension	D
NKM0302540	Axial BBH Ø1" Interaxis 75 mm	1	X	X	X	Inch	1"
NKM0302500	Axial BBH Ø25 Interaxis 75 mm	1	X	X	X	mm	25
KIT1000006	Plug to Make BBH Cool Thru Ø25 – 1"						

AXIAL DOUBLE BORING BAR HOLDER Ø25 / Ø1"



PartNumber	Description	No. of Tools	Reversible	Cool Thru	Ext. Cool	Dimension	D
NKM0442500	Axial 2 Position BBH Ø25	2	X		X	mm	25
NKM0442540	Axial 2 Position BBH Ø1"	2	X	X	X	Inch	1"
KIT1000006	Plug to Make BBH Cool Thru Ø25 – 1"						

AXIAL SINGLE STATIC COROMANT CAPTO



PartNumber	Description	No. of Tools	Reversible	Cool Thru	Size
NKM0874010	Axial Single Static COROMANT CAPTO Tool	1	X	X	C4