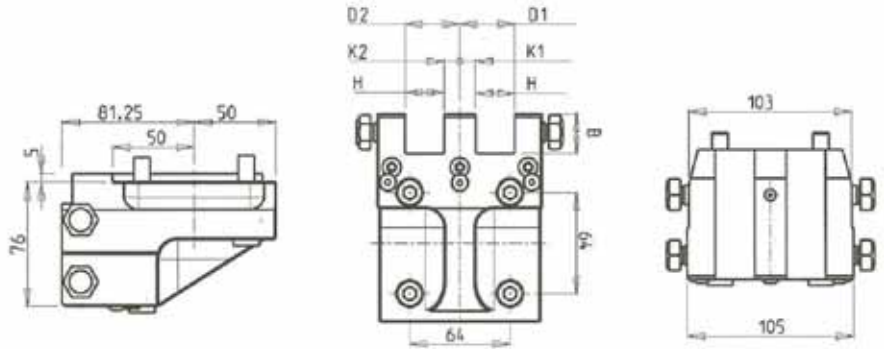


STATIC TOOLING
For
HYUNDAI- WIA

BMT55 STATIC

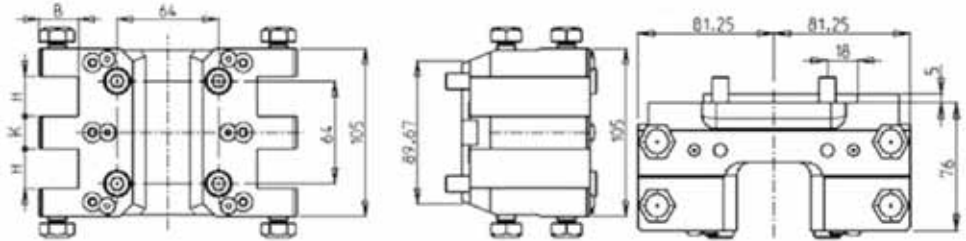
SKT160TTMS/TTSY (LM1600TTMS/TTSY) - SKT180TTMS/TTSY (LM1800TTMS/TTSY) (L230LMSA)

RADIAL REVERSIBLE SINGLE SIDE TWIN STATIC TOOL



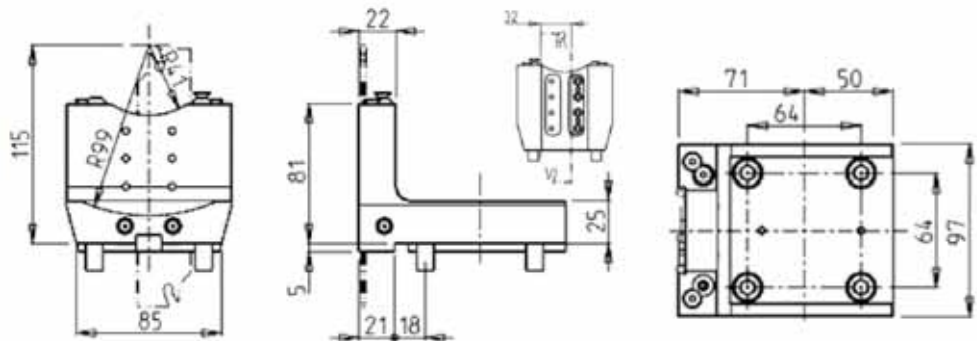
Part Number	Description	# of Tools	Reversible	Dimensions	H	K1	K2	D1	D2
0772540	Radial Y AXIS Double Rev. Single-Side Tool: 1"	2	X	Inch	1"	3/8"	3/8"	1 3/8"	1 3/8"
0772500	Radial Y AXIS Double Rev. Single-Side Tool: 25mm	2	X	mm	25	10	10	35	35

RADIAL DOUBLE SIDE TWIN STATIC TOOL



Part Number	Description	# of Tools	Reversible	Dimensions	H	K	B
0762540	Radial Double Side Twin Static Tool: 1"	4	X	Inch	1"	3/4"	1"
0762500	Radial Double Side Twin Static Tool: 25mm	4	X	mm	25	20	25

RADIAL BLADE HOLDER - WITH BLADES

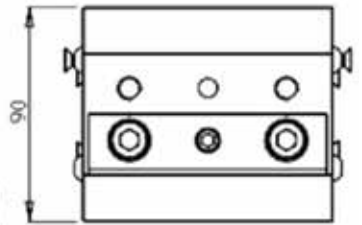
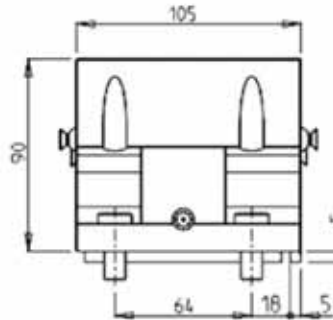
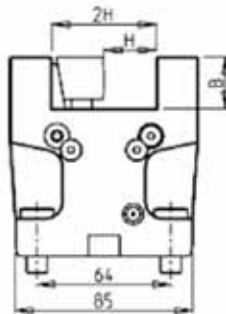


Part Number	Description	# of Tools	Reversible	Ext. Cool
DWO 0730132	Radial Blade Holder	1	X	X
BLADEKIT	Blade Kit Iscar:1 Blade, 10 Inserts for DWO 0730132			

BMT55 STATIC

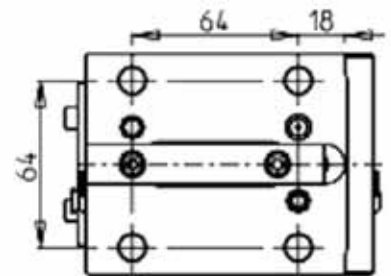
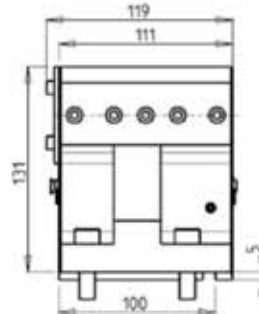
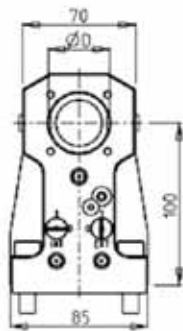
SKT160TTMS/TTSY (LM1600TTMS/TTSY) - SKT180TTMS/TTSY (LM1800TTMS/TTSY) (L230LMSA)

AXIAL STATIC TOOL



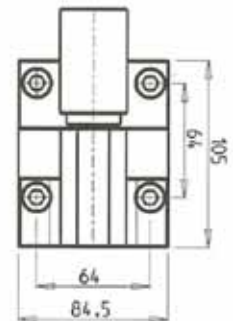
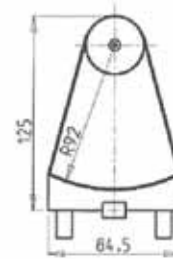
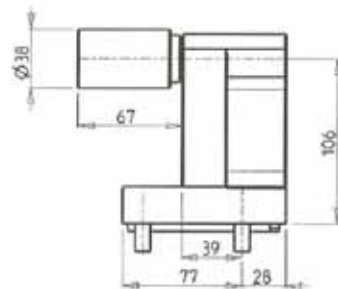
Part Number	Description	# of Tools	Reversible	Dimensions	B	H
DWO 0422540	Axial Static Tool 1" x 1"	1	X	Inch	1"	1"
DWO 0422500	Axial Static Tool 25mm x 25mm	1	X	mm	25	25

AXIAL SINGLE BORING BAR HOLDER 100mm INTERAXIS



Part Number	Description	# of Tools	Reversible	Cool Thru	Ext. Cool	Dimensions	D
DWO 0393810	Axial Single BBH 1 1/2" H=100mm	1	X	X	X	Inch	1 1/2"
DWO 0394000	Axial Single BBH 40mm H=100mm	1	X	X	X	mm	40
KIT 1000004	Plug for 1-1/2" BBH						
KIT 1000003	Plug for 40mm BBH						

TAILSTOCK FOR SUBSPINDLE

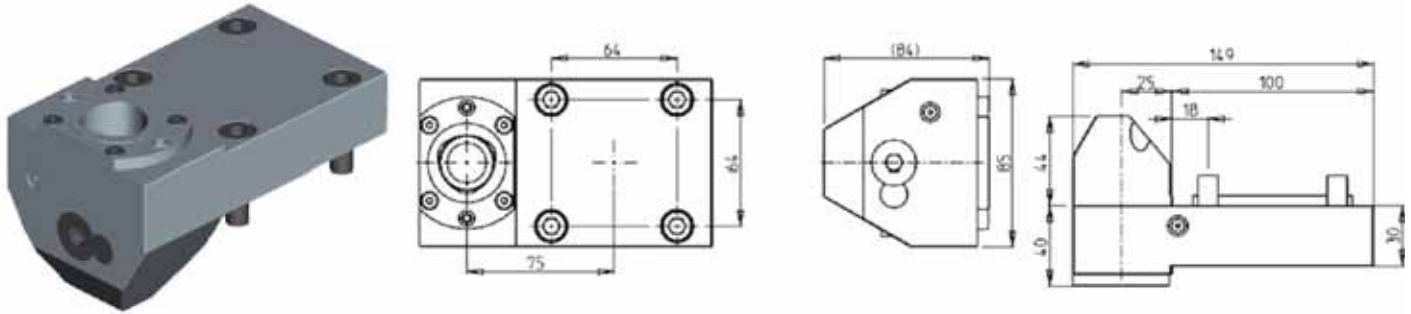


Part Number	Description	# of Tools	D	L
0820100L	Tailstock for Sub Spindle 2"	1	2"	131.4
0820100	Tailstock for Sub Spindle 38mm	1	38	125

BMT55 STATIC

SKT160TTMS/TTSY (LM1600TTMS/TTSY) - SKT180TTMS/TTSY (LM1800TTMS/TTSY) (L230LMSA)

RADIAL REAR-SET SINGLE STATIC TOOL COROMANT CAPTO



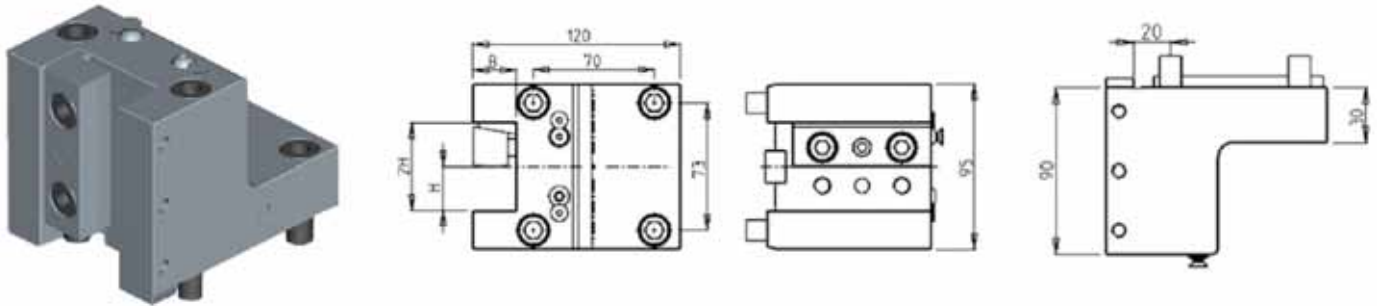
Part Number	Description	# of Tools	Reversible	Cool Thru	Size
DWO 0444010	Radial Rear-Set Single Static Coromant Capto	1	X	X	C4

* Coolant Thru tools are designed for 1000 psi.
They require 5 Micron Filtration and **CANNOT** be run dry.

BMT65 STATIC

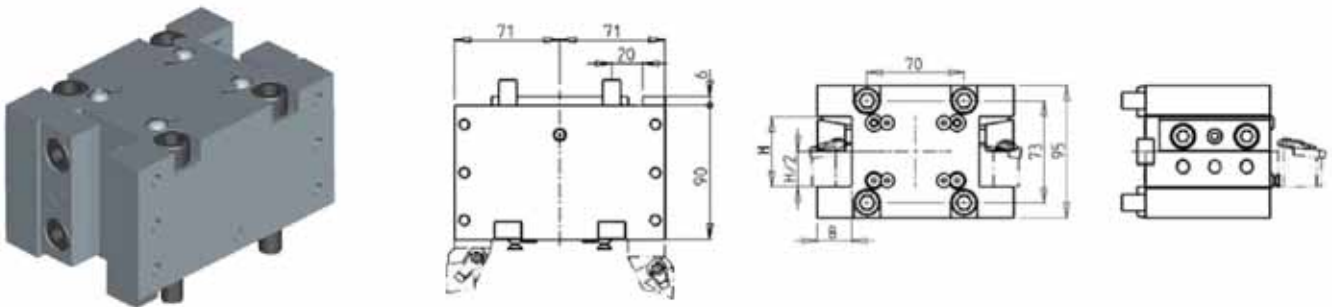
SKT200TTM/TTMS/TTSY (LM2000TTM/TTMS/TTSY) SKT250TTM/TTMS/TTSY (LM2500TTM/TTMS/TTSY) - SKT250MS - SKT300MS (L300MSA)

RADIAL STATIC HOLDER



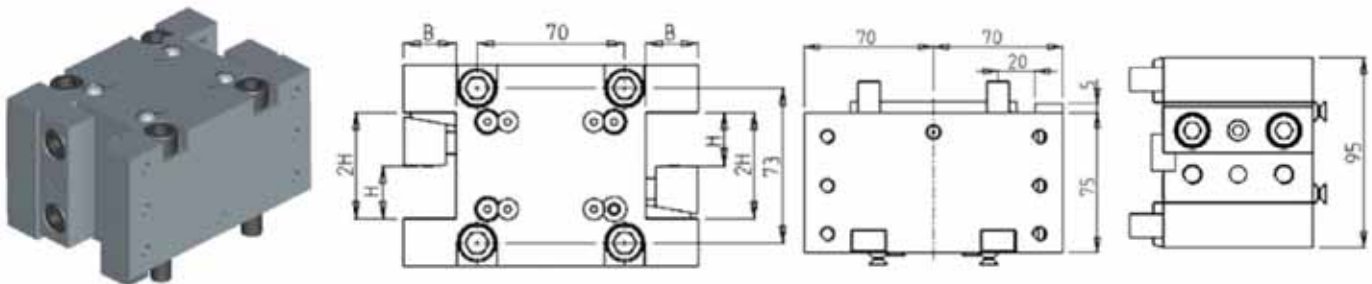
Part Number	Description	# of Tools	Reversible	Dimensions	B	H
DWO 0482540	Radial Static Tool: 1"	1	X	Inch	1"	1"
DWO 0482500	Radial Static Tool: 25mm	1	X	mm	25	25

RADIAL DOUBLE STATIC HOLDER



Part Number	Description	# of Tools	Reversible	Dimensions	B	H
DWO 0272540	Radial Double Static Tool: 1"	2	X	Inch	1"	1"
DWO 0272500	Radial Double Static Tool: 25mm	2	X	mm	25	25

RADIAL DOUBLE STATIC HOLDER H=75mm

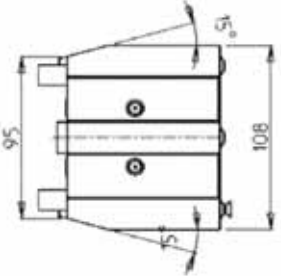
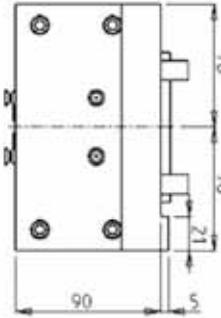
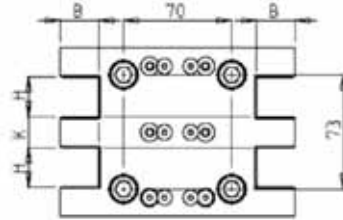
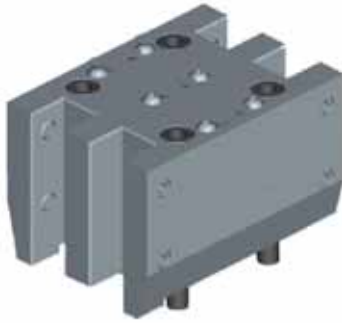


Part Number	Description	# of Tools	Reversible	Dimensions	B	H
DWO 0672500	Radial Double Static Tool H=75mm	2/4	X	mm	25	25

BMT65 STATIC

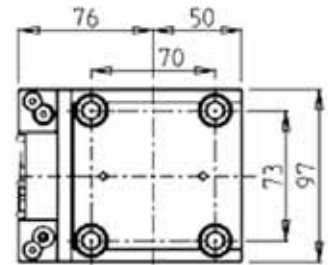
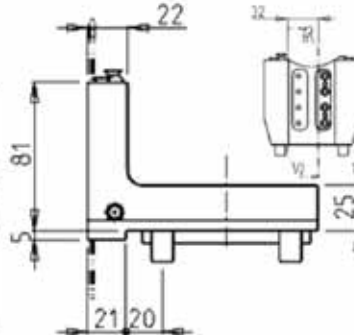
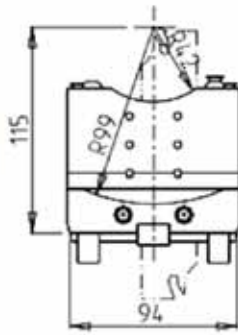
SKT200TTM/TTMS/TTSY (LM2000TTM/TTMS/TTSY) SKT250TTM/TTMS/TTSY (LM2500TTM/TTMS/TTSY) - SKT250MS - SKT300MS (L300MSA)

RADIAL DOUBLE SIDE TWIN STATIC TOOL



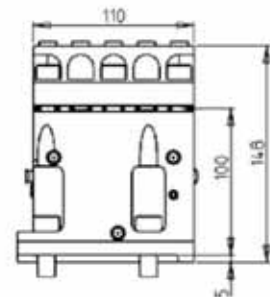
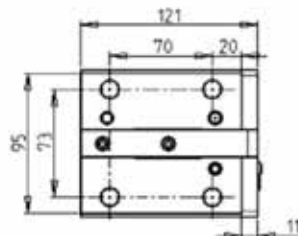
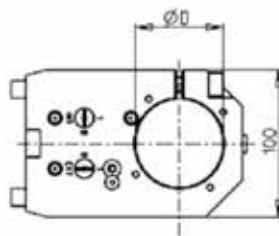
Part Number	Description	# of Tools	Reversible	Dimensions	H	K	B
DWO 0622540	Radial Double Side Twin Static Tool H=1"	4	X	Inch	1"	3/4"	1"
DWO 0622500	Radial Double Side Twin Static Tool H=25mm	4	X	mm	25	20	25

RADIAL BLADE HOLDER - WITH BLADES



Part Number	Description	# of Tools	Reversible	Ext. Cool
DWO 0690132	Radial Blade Holder	1	X	X
BLADEKIT	Blade Kit Iscar:1 Blade, 10 Inserts for DWO 0690132			

AXIAL SINGLE BORING BAR HOLDER 60mm H=100mm

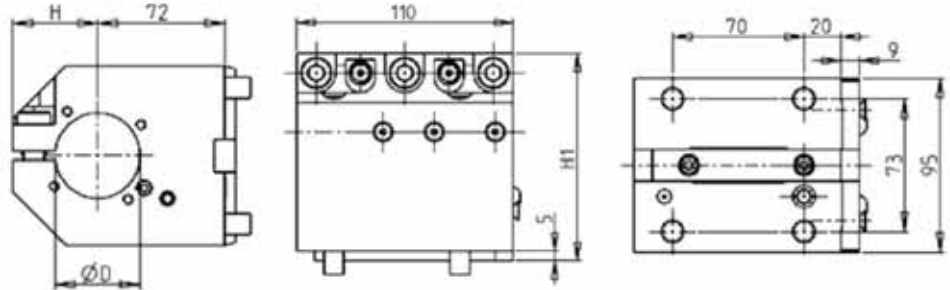


Part Number	Description	# of Tools	Reversible	Cool Thru	Dimensions	D
DWO 0746000	Axial Single BBH 60mm	1	X	X	mm	60
KIT 1003025	Plug & Seal Kit for 60mm BBH					

BMT65 STATIC

SKT250MS - SKT300MS (L300MSA)

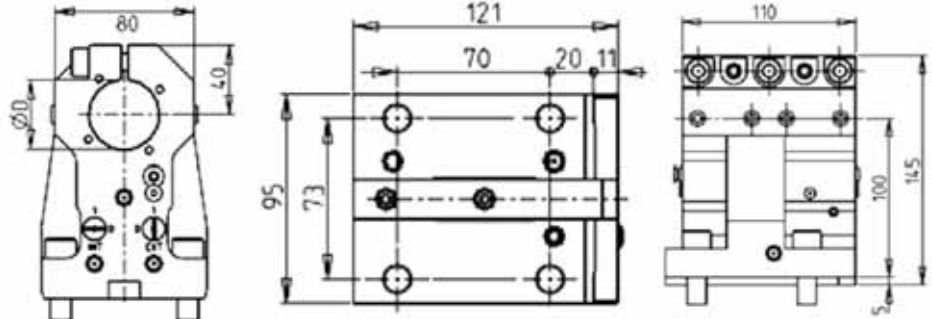
AXIAL SINGLE BORING BAR HOLDER H=72mm



Part Number	Description	# of Tools	Cool Thru	Ext. Cool	Dimensions	D	H	H1
0833810	Axial H=72mm Single BBH: 1-1/2"	1	X	X	Inch	1 1/2"	40	117.5
0835080	Axial H=72mm Single BBH: 2"	1	X	X	Inch	2"	46.5	123.5
0834000	Axial H=72mm Single BBH: 40mm	1	X	X	mm	40	40	117.5
0835000	Axial H=72mm Single BBH: 50mm	1	X	X	mm	50	46.5	123.5
KIT 1003004	Plug & Seal Kit for 1-1/2" BBH							
KIT 1003003	Plug & Seal Kit for 40mm BBH							
KIT 1003002	Plug & Seal Kit for 50mm or 2" BBH							

SKT200TTM/TTMS/TTSY (LM2000TTM/TTMS/TTSY) SKT250TTM/TTMS/TTSY (LM2500TTM/TTMS/TTSY) - SKT250MS - SKT300MS (L300MSA)

AXIAL SINGLE BORING BAR HOLDER H=100mm

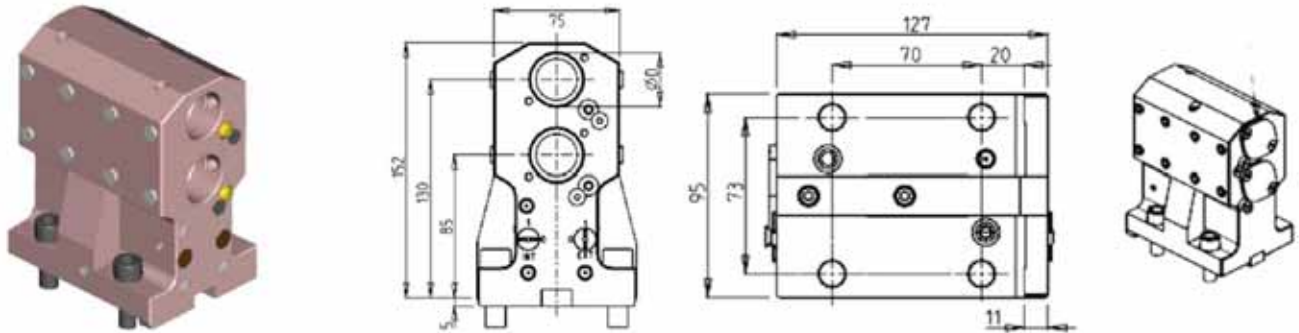


Part Number	Description	# of Tools	Reversible	Cool Thru	Ext. Cool	Dimensions	D
DWO 0204000	Axial Single BBH 40mm, H=100mm	1	X	X	X	mm	40
KIT 1003003	Plug & Seal Kit for 40mm BBH						

BMT65 STATIC

SKT250MS - SKT300MS (L300MSA)

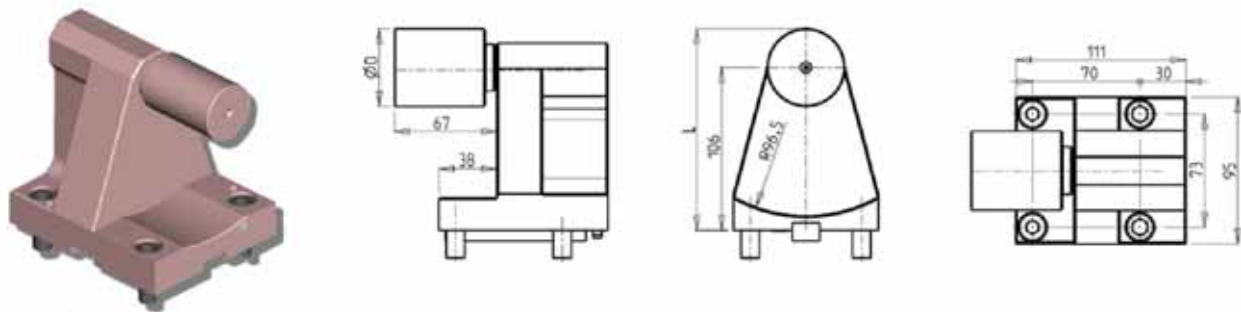
DOUBLE AXIAL BORING BAR HOLDER



Part Number	Description	# of Tools	Reversible	Cool Thru	Ext. Cool	Dimensions	D
DWO 0213175	Axial Double BBH 1 1/4"	1	X	X	X	Inch	1 1/4"
DWO 0213200	Axial Double BBH 32mm	1	X	X	X	mm	32
KIT 1000001	Plug for 32mm BBH						

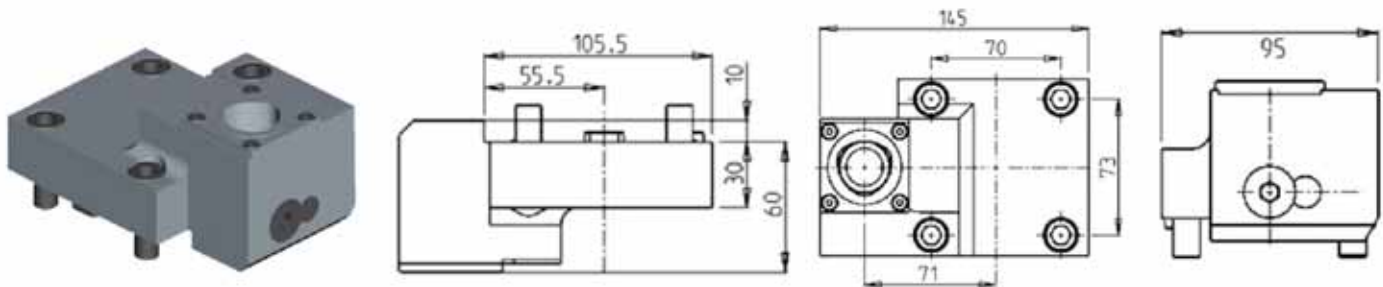
SKT200TTM/TTMS/TTSY (LM2000TTM/TTMS/TTSY) SKT250TTM/TTMS/TTSY (LM2500TTM/TTMS/TTSY) - SKT250MS - SKT300MS (L300MSA)

TAILSTOCK FOR SUBSPINDLE



Part Number	Description	# of Tools	D	L
0820200	Tailstock for Sub Spindle 38mm	1	38	125
0820200L	Tailstock for Sub Spindle 2"	1	2"	131.4

SINGLE REAR-SET RADIAL STATIC TOOL COROMANT CAPTO

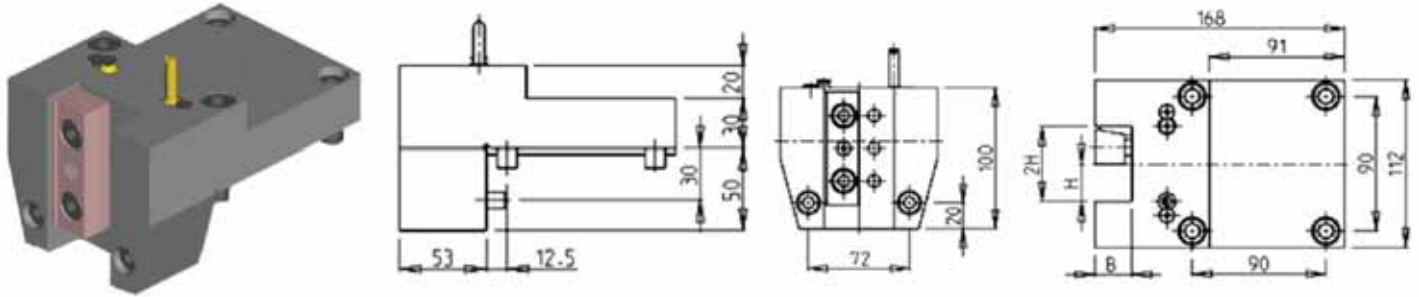


Part Number	Description	# of Tools	Reversible	Cool Thru	Size
DWO 1384010	Radial Single Rear-Set Static Coromant Capto	1	X	X	C4

BMT75 STATIC

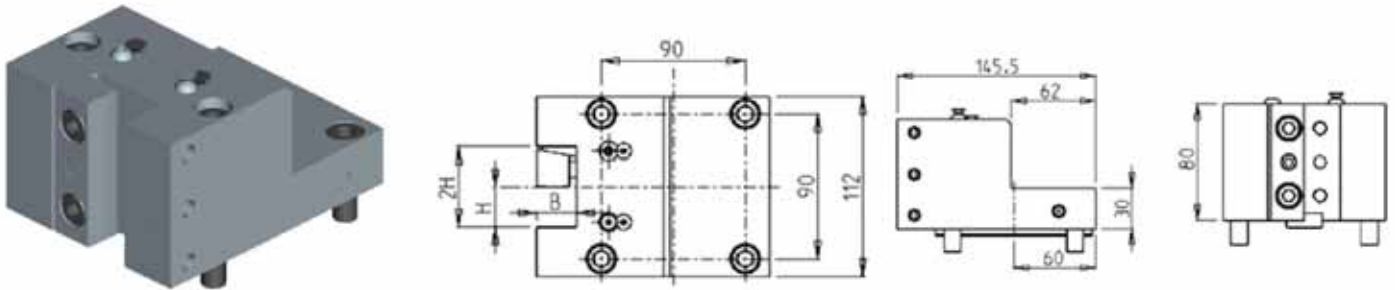
SKT400M/LMC (L400MA) (LV500RM/LM - LV800RM/LM)

RADIAL STATIC TOOL



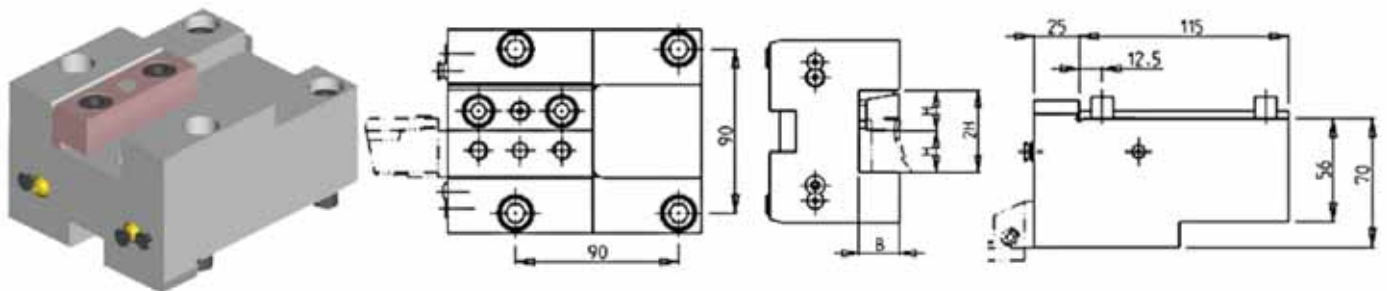
Part Number	Description	# of Tools	Dimensions	B	H
0902540	Radial Static Tool 1" x 1"	1	Inch	1"	1"
0903175	Radial Static Tool 1 1/4" x 1 1/4"	1	Inch	1 1/4"	1 1/4"
0902500	Radial Static Tool 25mm x 25mm	1	mm	25	25
0903200	Radial Static Tool 32mm x 32mm	1	mm	32	32

RADIAL SINGLE STATIC TOOL



Part Number	Description	# of Tools	Reversible	Dimensions	B	H
DWO 0752500	Radial Single Static Tool	1	X	mm	25	25

AXIAL SINGLE STATIC TOOL

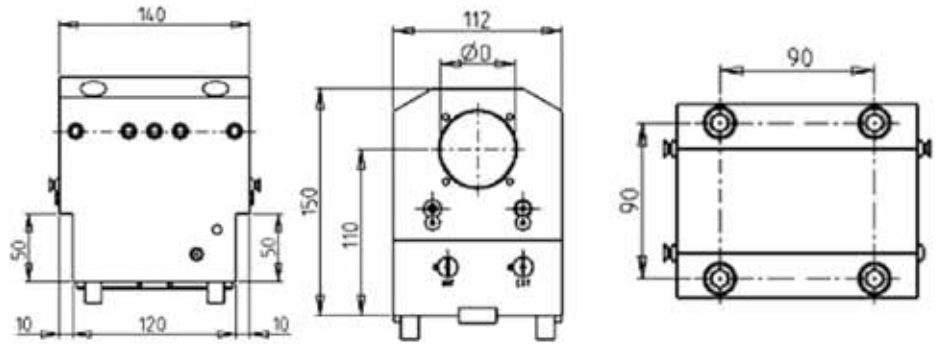


Part Number	Description	# of Tools	Reversible	Dimensions	B	H
0912540	Axial Static Tool 1" x 1"	1	X	Inch	1"	1"
0913175	Axial Static Tool 1 1/4" x 1 1/4"	1	X	Inch	1 1/4"	1 1/4"
0912500	Axial Static Tool 25mm x 25mm	1	X	mm	25	25
0913200	Axial Static Tool 32mm x 32mm	1	X	mm	32	32

BMT75 STATIC

SKT400M/LMC (L400MA)

AXIAL SINGLE BORING BAR HOLDER 50mm H=110mm

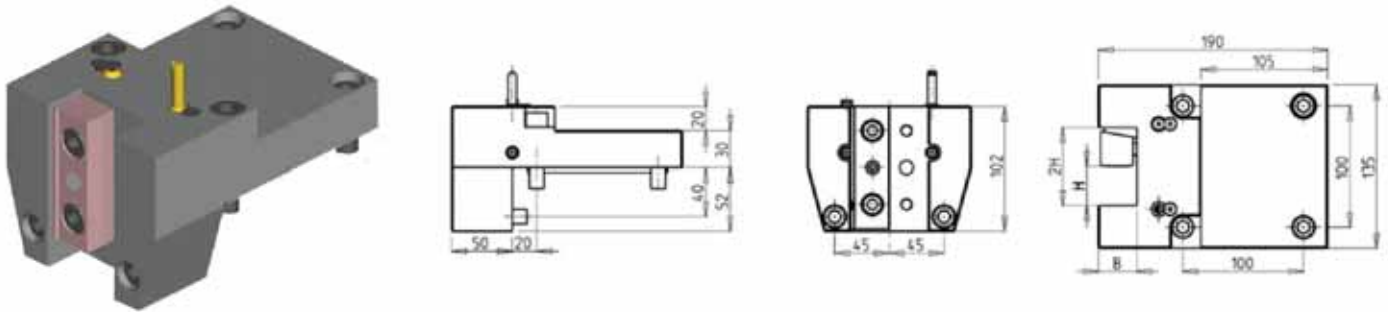


Part Number	Description	# of Tools	Cool Thru	Ext. Cool	Dimensions	D
DWO 1335000	Axial Single Boring Bar Holder 50mm H=110mm	1	X	X	mm	50
KIT 1000002	Plug for 50mm BBH	1				

BMT85 STATIC

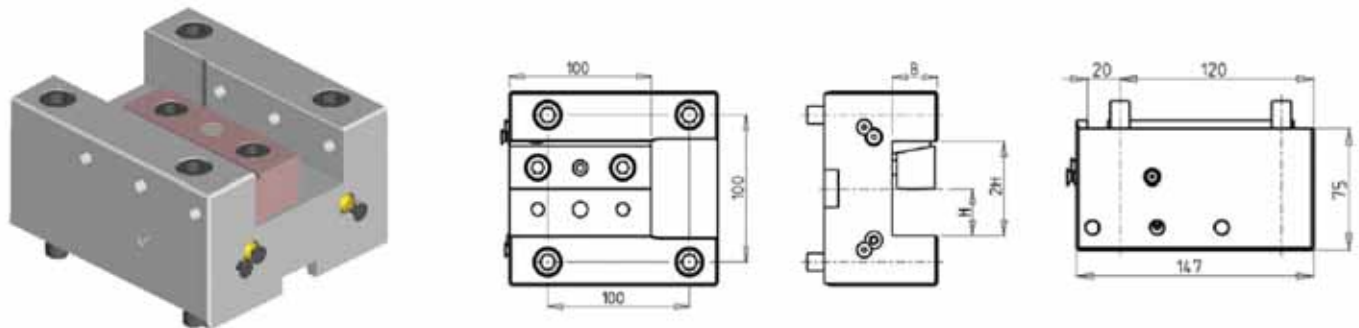
SKT600LM L600LMA SKT700LM L700LMA LV1100RM

RADIAL STATIC TOOL



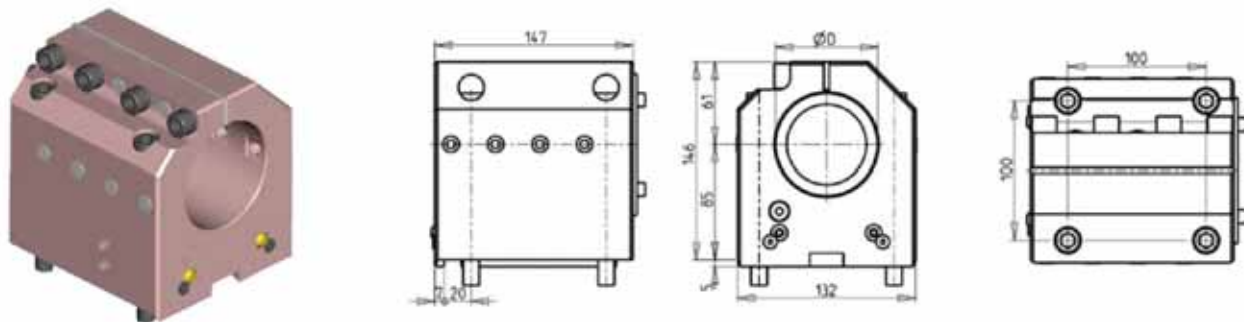
Part Number	Description	# of Tools	Dimensions	B	H
DWO 0323175	Radial Static Tool 1 1/4" x 1 1/4"	1	Inch	1 1/4"	1 1/4"
DWO 0323200	Radial Static Tool 32mm x 32mm	1	mm	32	32

AXIAL STATIC TOOL



Part Number	Description	# of Tools	Reversible	Dimensions	B	H
DWO 0333175	Axial Static Tool 1 1/4" x 1 1/4"	1	X	Inch	1 1/4"	1 1/4"
DWO 0333200	Axial Static Tool 32mm x 32mm	1	X	mm	32	32

AXIAL SINGLE BORING BAR HOLDER H=85mm



Part Number	Description	# of Tools	Cool Thru	Ext. Cool	Dimensions	D
DWO 0347620	Axial Single BBH: 3"	1	X	X	Inch	3"
DWO 0348000	Axial Single BBH: 80mm	1	X	X	mm	80
KIT 1002014	Plug & Seal Kit for 3" BBH					
KIT 1002013	Plug & Seal Kit for 80mm BBH					