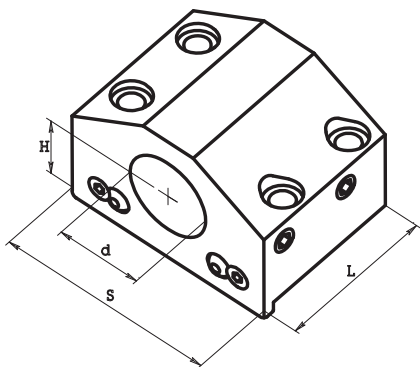


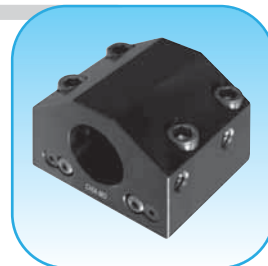
PORTAUTENSILI PER TORNI CNC
CNC LATHE TOOLHOLDERS

TORNI OKUMA LB15 / 25 / 300 - TORNI HAAS SL 20 / 30
OKUMA LATHES LB15 / 25 / 300 - HAAS LATHES SL 20 / 30

PORTAUTENSILI ASSIALI - AXIAL TOOLHOLDERS

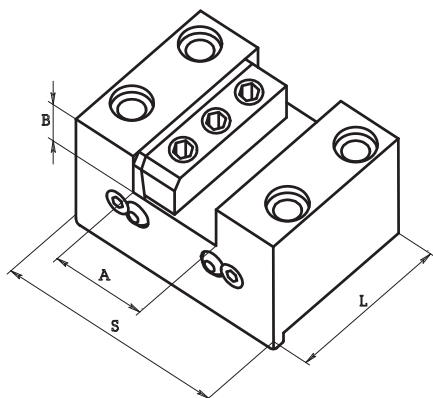


Con passaggio liquido refrigerante esterno o interno
With inner or outer coolant feeding system



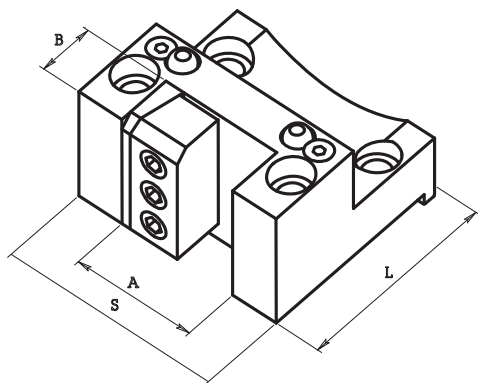
Code	HAAS code				
ART.	Cod. HAAS	d	H	S	L
7H6.C32	BOT20MID	32	31.75	101.5	82.5
7H6.C40	BOT20MID	40	31.75	101.5	82.5

PORTAUTENSILI ASSIALI - AXIAL TOOLHOLDERS

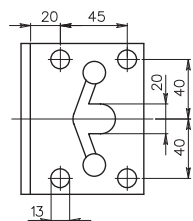
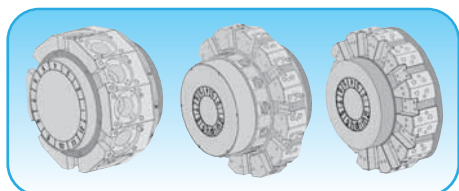


Code	HAAS code				
ART.	Cod. HAAS	A	B	S	L
8H6.C50	BOT20MFG	50	25	101.5	82.5

PORTAUTENSILI RADIALI - RADIAL TOOLHOLDERS



Code	HAAS code				
ART.	Cod. HAAS	A	B	S	L
8H6.V50	BOT20MOD	50	25	101.5	92



INTERASSE FORI IN PORTAUTENSILI
DISTANCE BETWEEN HOLES IN TOOLHOLDERS

