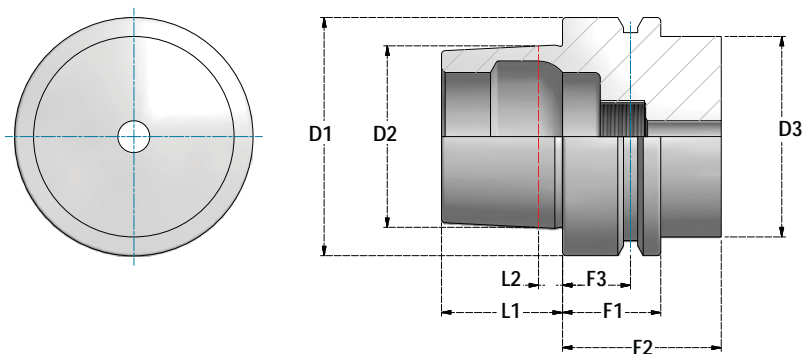


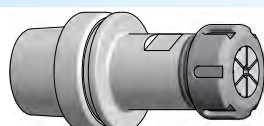
DIN 69893-5

MANDRINI HSK FORMA E
HSK FORM E TOOLHOLDERS



DIMENSIONI DELL'ATTACCO
SHANK DIMENSIONS

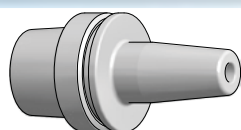
| ATTACCO SHANK | D1 | D2 | D3 | L1 | L2 | F1 | F2 | F3 |
|------------------|-----|--------|-----|-----------|-----|-----------|-----|------|
| | h10 | | max | 0 -0,2 | | 0 -0,1 | min | ±0,1 |
| 50 | 50 | 38,009 | 42 | 25 | 5 | 26 | 42 | 18 |
| 63 | 63 | 48,010 | 53 | 32 | 6,3 | 26 | 42 | 18 |



MANDRINI PORTAPINZA ER STANDARD
COLLET CHUCKS ER STANDARD

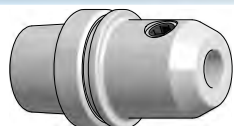
DIN ISO 15488 (DIN6499)

PAG. 36



MANDRINI A CALETTAMENTO A CALDO
SHRINK FIT CHUCKS

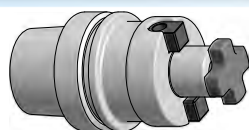
PAG. 37



MANDRINI PORTAFRESA WELDON
END MILL HOLDERS WELDON

DIN 1835-2

PAG. 38

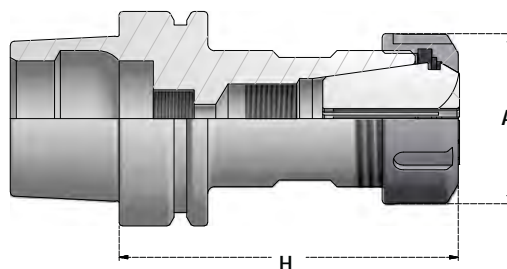


MANDRINI PORTAFRESA FISSI
SHELL MILL HOLDERS

DIN 6357

PAG. 39

MANDRINI PORTAPINZA ER PER ROTAZIONE DESTRA
RIGHT ROTATION ER COLLET CHUCKS



DIMENSIONI
DELL'ATTACCO

SHANK
DIMENSIONS

| G6,3 24000.r.p.m. | Articolo | H | A | Range ERC | Ghiera Nut |
|----------------------|--------------------------|--------------------------|-----|--------------|---------------|
| | | HSK50E.H100.ERC16 | 100 | 32 | 1÷10 |
| | HSK50E.H100.ERC20 | 100 | 35 | 1÷14 | G20WD |
| | HSK50E.H100.ERC25 | 100 | 42 | 1÷20 | G25WD |
| | HSK50E.H100.ERC32 | 100 | 50 | 2÷22 | G32WD |

MANDRINI PER ROTAZIONE SINISTRA A RICHIESTA
LEFT ROTATION COLLET CHUCKS ON REQUEST



| G6,3 24000.r.p.m. | Articolo | H | A | Range ERC | Ghiera Nut |
|----------------------|-------------------------|-------------------------|----|--------------|---------------|
| | | HSK63E.H73.ERC32 | 73 | 50 | 2÷22 |
| | HSK63E.H78.ERC40 | 78 | 63 | 3÷30 | G40WD |

MANDRINI PER ROTAZIONE SINISTRA A RICHIESTA
LEFT ROTATION COLLET CHUCKS ON REQUEST

ACCESSORI - ACCESSORIES



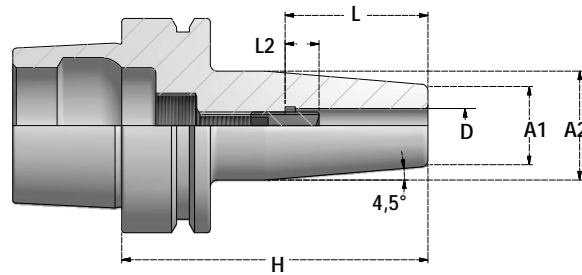
DIN 69893-5

HSK E

TM

MANDRINI A CALETTAMENTO A CALDO

SHRINK FIT CHUCKS



DIMENSIONI
DELL'ATTACCO

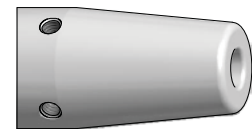
SHANK
DIMENSIONS

G2,5

25000.r.p.m.

| Articolo | D | H | L | L2 | A1 | A2 |
|------------------|----|-----|----|----|----|----|
| HSK50E.H80.TM3 | 3 | 80 | 12 | 10 | 10 | 20 |
| HSK50E.H80.TM4 | 4 | 80 | 16 | 10 | 15 | 25 |
| HSK50E.H80.TM5 | 5 | 80 | 20 | 10 | 15 | 25 |
| HSK50E.H80.TM6 | 6 | 80 | 36 | 10 | 21 | 27 |
| HSK50E.H80.TM8 | 8 | 80 | 36 | 10 | 21 | 27 |
| HSK50E.H85.TM10 | 10 | 85 | 41 | 10 | 24 | 32 |
| HSK50E.H90.TM12 | 12 | 90 | 46 | 10 | 24 | 32 |
| HSK50E.H90.TM14 | 14 | 90 | 46 | 10 | 27 | 34 |
| HSK50E.H95.TM16 | 16 | 95 | 49 | 10 | 27 | 34 |
| HSK50E.H95.TM18 | 18 | 95 | 49 | 10 | 33 | 42 |
| HSK50E.H100.TM20 | 20 | 100 | 51 | 10 | 33 | 42 |

Profondità regolabile L2
Adjustable depth L2



Con 4 fori per la bilanciatura.
Grani non compresi.
With 4 holes for balancing.
Screws not supplied.

G2,5

25000.r.p.m.

| Articolo | D | H | L | L2 | A1 | A2 |
|------------------|----|-----|----|----|----|----|
| HSK63E.H80.TM3 | 3 | 80 | 12 | 10 | 10 | 20 |
| HSK63E.H80.TM4 | 4 | 80 | 16 | 10 | 15 | 25 |
| HSK63E.H80.TM5 | 5 | 80 | 20 | 10 | 15 | 25 |
| HSK63E.H80.TM6 | 6 | 80 | 36 | 10 | 21 | 27 |
| HSK63E.H80.TM8 | 8 | 80 | 36 | 10 | 21 | 27 |
| HSK63E.H85.TM10 | 10 | 85 | 41 | 10 | 24 | 32 |
| HSK63E.H90.TM12 | 12 | 90 | 46 | 10 | 24 | 32 |
| HSK63E.H90.TM14 | 14 | 90 | 46 | 10 | 27 | 34 |
| HSK63E.H95.TM16 | 16 | 95 | 49 | 10 | 27 | 34 |
| HSK63E.H95.TM18 | 18 | 95 | 49 | 10 | 33 | 42 |
| HSK63E.H100.TM20 | 20 | 100 | 51 | 10 | 33 | 42 |
| HSK63E.H115.TM25 | 25 | 115 | 57 | 10 | 44 | 53 |
| HSK63E.H120.TM32 | 32 | 120 | 61 | 10 | 44 | 53 |

ACCESSORI - ACCESSORIES



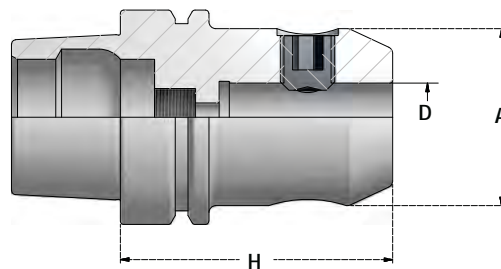
DIN 69893-5

HSK E

WE

MANDRINI PORTAFRESA WELDON

END MILL HOLDERS WELDON



DIMENSIONI
DELL'ATTACCO

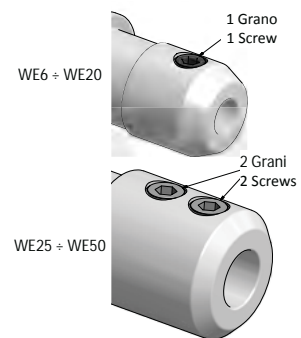
SHANK
DIMENSIONS

G6,3
24000 r.p.m.

| Articolo | D | H | A | Grano Screw |
|-----------------|----|----|----|----------------|
| HSK50E.H65.WE6 | 6 | 65 | 25 | GR.WE6 |
| HSK50E.H65.WE8 | 8 | 65 | 28 | GR.WE8 |
| HSK50E.H65.WE10 | 10 | 65 | 35 | GR.WE10 |
| HSK50E.H80.WE12 | 12 | 80 | 42 | GR.WE12-14 |
| HSK50E.H80.WE14 | 14 | 80 | 44 | GR.WE12-14 |
| HSK50E.H80.WE16 | 16 | 80 | 48 | GR.WE16-18 |
| HSK50E.H80.WE18 | 18 | 80 | 50 | GR.WE16-18 |
| HSK50E.H80.WE20 | 20 | 80 | 52 | GR.WE20 |

G6,3
24000 r.p.m.

| Articolo | D | H | A | Grano Screw |
|------------------|----|-----|----|----------------|
| HSK63E.H65.WE6 | 6 | 65 | 25 | GR.WE6 |
| HSK63E.H65.WE8 | 8 | 65 | 28 | GR.WE8 |
| HSK63E.H65.WE10 | 10 | 65 | 35 | GR.WE10 |
| HSK63E.H80.WE12 | 12 | 80 | 42 | GR.WE12-14 |
| HSK63E.H80.WE14 | 14 | 80 | 44 | GR.WE12-14 |
| HSK63E.H80.WE16 | 16 | 80 | 48 | GR.WE16-18 |
| HSK63E.H80.WE18 | 18 | 80 | 50 | GR.WE16-18 |
| HSK63E.H80.WE20 | 20 | 80 | 52 | GR.WE20 |
| HSK63E.H110.WE25 | 25 | 110 | 65 | GR.WE25 |
| HSK63E.H110.WE32 | 32 | 110 | 72 | GR.WE32-40 |



ACCESSORI - ACCESSORIES

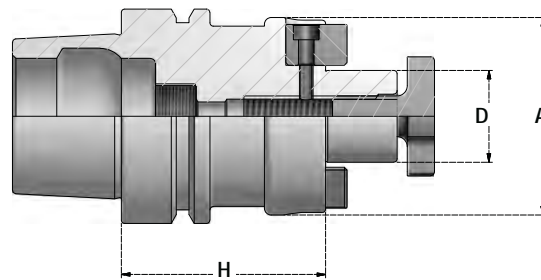


DIN 69893-5

HSK E

D S

MANDRINI PORTAFRESA FISSI
SHELL MILL HOLDERS



DIMENSIONI
DELL'ATTACCO

SHANK
DIMENSIONS

| G6,3 24000 r.p.m. | Articolo | D | H | A | TTR | VTC |
|----------------------|-----------------|----|----|---------|---------|---------|
| | HSK50E.H50.D16S | 16 | 50 | 38 | TTR.D16 | VTC.D16 |
| HSK50E.H60.D22S | 22 | 60 | 48 | TTR.D22 | VTC.D22 | |
| HSK50E.H60.D27S | 27 | 60 | 58 | TTR.D27 | VTC.D27 | |
| HSK50E.H60.D32S | 32 | 60 | 78 | TTR.D32 | VTC.D32 | |

| G6,3 24000 r.p.m. | Articolo | D | H | A | TTR | VTC |
|----------------------|-----------------|----|----|---------|---------|---------|
| | HSK63E.H50.D16S | 16 | 50 | 38 | TTR.D16 | VTC.D16 |
| HSK63E.H50.D22S | 22 | 50 | 48 | TTR.D22 | VTC.D22 | |
| HSK63E.H60.D27S | 27 | 60 | 58 | TTR.D27 | VTC.D27 | |
| HSK63E.H60.D32S | 32 | 60 | 78 | TTR.D32 | VTC.D32 | |
| HSK63E.H65.D40S | 40 | 65 | 88 | TTR.D40 | VTC.D40 | |

ACCESSORI - ACCESSORIES

